



Partytent-heater 2100

Art.nr.: 428725

EUROM[®]
POWERFUL PRODUCTS



Thank you

Thank you very much for choosing for a EUROM device. You have made a good choice! We hope you will be satisfied about its functioning.

To get maximum profit from your product, it is important to read this manual attentive and totally before use, and to understand what is written. Read especially the safety instructions: they are there to protect you and your environment.

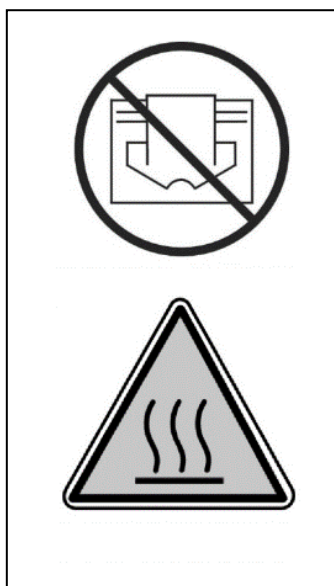
Keep the manual in a safe place for future reference. Store also the package: that is the best protection for your product in times of no-use. And if you at any time pass the appliance on, pass on the manual and package too.

We wish you a lot of fun with the Partytent heater 1502 or 2100!

Eurom
Kokosstraat 20
8281 JC Genemuiden (NL)
info@eurom.nl
www.eurom.nl

This manual has been compiled with the utmost care. Nevertheless, we reserve the right to optimize this manual at any time and to adjust it technically. The image used may differ.

Symbol Explanation



To prevent overheating: Do not cover the device!

Be careful: hot surface!

Technical specifications

Partytent heater	1502	2100
Heating elements	Carbon	Carbon
Number of elements	1	2
Heating capacity	750-1500 Watt	900-1200-2100 W
Consumption max.	1500 Watt	2100 Watt
Connected power	220-240V / 50Hz	220-240V / 50Hz
Protection factor	IPX4	IPX4
Operation	Manual	Manual
Dimensions	45 x 45 x 22 cm	55 x 55 x 35 cm
Weight	2 kg	3 kg

Important!

Your party-tent heater must be installed fully and fulfil all the relevant electricity regulations, requirements and rules. If you are in any doubt, have the device installed by a qualified electrician.

This equipment must be connected to a fully functional, undamaged, single-phase, earthed electrical socket which provides 220-240V/50Hz current. The installation must be equipped with a 30 mA earth leakage circuit breaker.

The plug must always be accessible when the device is connected to an electricity supply.

Read this instruction leaflet carefully and follow the instructions.

Before connecting the device, always check that:

- the voltage to which you wish to connect the device corresponds the voltage indicated on the specification plate.
- the socket and plug correspond to one another.
- the socket is earthed.
- the device is hanging securely, at the right height and with sufficient free space around it (see later in the booklet).
- the electrical cable is located away from the vicinity of the heater so as to avoid it getting too hot.

Safety warnings

- The party-tent heater must only be used in the manner for which it has been designed: as a hanging heater for party-tents, verandas and similar covered outdoor areas in a private setting. Never use it for other purposes such as drying clothing or textiles or other materials/products/people or animals. The party-tent heater is not intended to be used in commercial situations and must not be used at building sites or in greenhouses, stables etc.
- The carbon heating lamps are fragile so handle the party-tent heater with care. Avoid bumping the device, letting it fall etc.

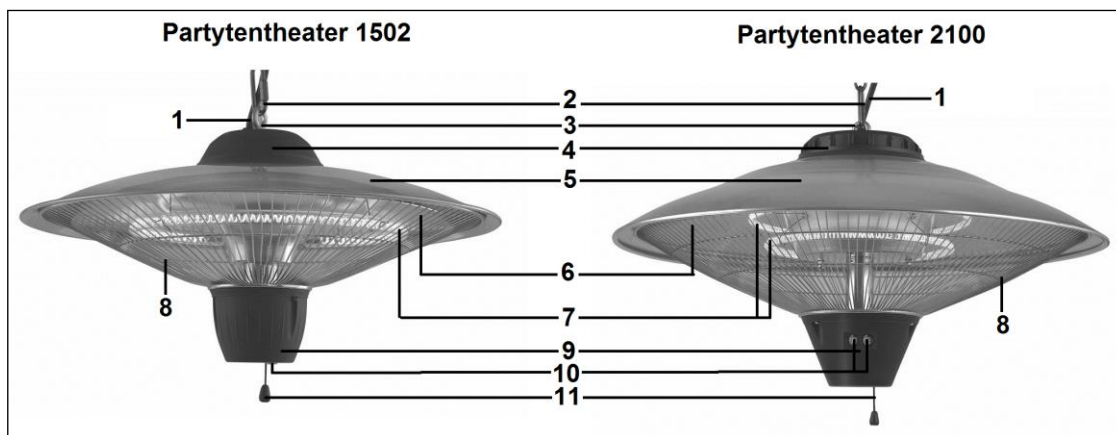
- This party-tent heater must be installed according to the guidelines outlined later in this booklet.
- The party-tent heater emits a very intense heat. Do not expose people (particularly old people or children) to direct heat. This also applies to animals.
- The party-tent heater should never be installed or used in the vicinity of flammable objects. This may include curtains, furniture, tent canvases etc. It may not be located too close to a socket and should not be used in a damp area such as a bath/shower room, by a swimming pool etc.
- Never use the infrared heater in spaces which house explosive or flammable items.
- In order to reduce the risk of electrical shock or fire, the party-tent heater should never be used with a timer or another device that switches the device on or off automatically. Never leave the device unsupervised during use.
- **Never cover the party-tent heater!** Never hang anything over it!
- Ensure that the electrical cable is laid without any kinks. If the cable comes into contact with parts of the heater or falls within the range of the radiation, it could melt. This poses a serious fire risk!
- Never lay the electrical cable behind shelves or under clothing and ensure that it cannot become trapped or cause a stumbling risk. Prevent the cable coming into contact with the hot elements of the infrared heater.
- Try to avoid the use of an extension cable. If this cannot be avoided, then choose a lead that is as short as possible with power of at least 10A and 2000W (type 1502) or 16A and 2500W (type 2100). The cable must be completely uncoiled if a cable-winding device is used.
- Ensure that the party-tent heater never falls into water or any other fluid and never submerge it. Never touch the device with wet hands.
- Never stick your fingers, pencils or any other object into the party-tent heater grille. The grille gets very hot during use and can only be touched when the heater has cooled down fully.
- Make sure there is close supervision if this device is used when there are children, incapacitated persons or pets present. Do not allow children to play with the device. This device is not suitable to be operated by children or those with physical, sensory or mental disabilities or by anyone who does not have knowledge about or experience with the device. Ensure that every user has ready the

instruction booklet. Keep children and pets out of the vicinity of the device.

- Switch the party-tent heater off and remove the plug from the socket:
 - after every use of if you are leaving the location
 - before moving or cleaning the device
 - if it breaks down or needs maintenance
- Do not use the device if it has been subject to a fall, has been damaged or is not working properly. Switch the device off immediately, remove the plug from the socket and consult your supplier or a qualified electrician. Please request original parts if the device needs to be repaired. Never dismantle or repair the device, cable or plug yourself. The device does not contain any parts that you can replace or repair yourself.

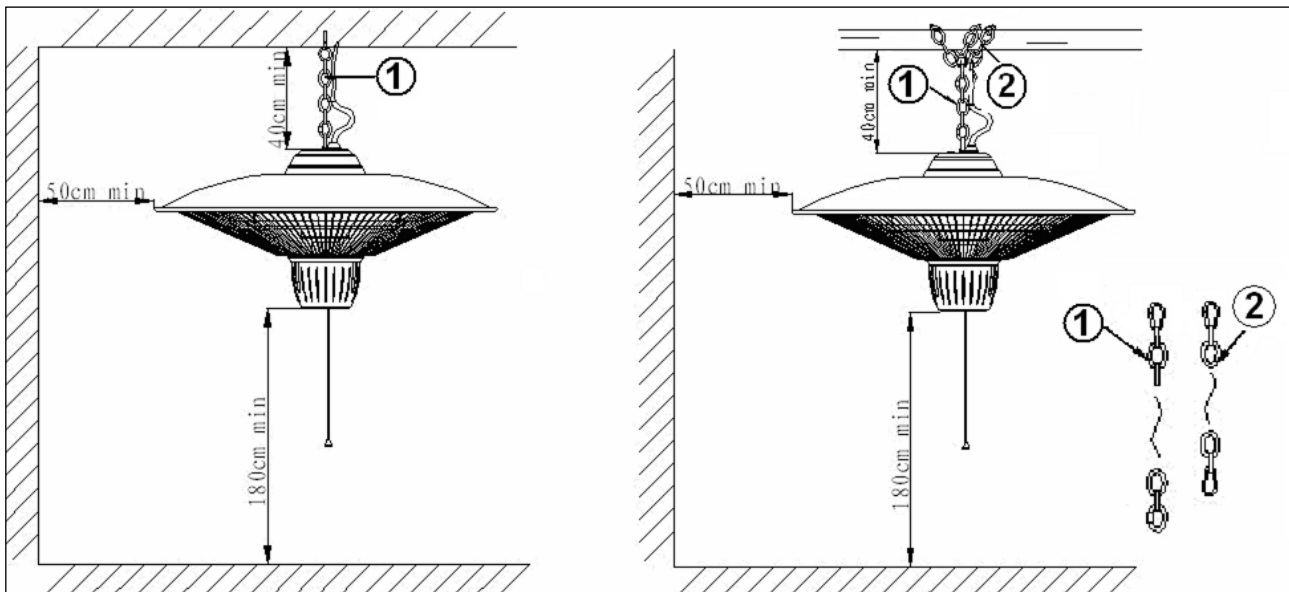
The supplier, importer and manufacturer will not be held liable if you take any actions, other than those outlined in this booklet; the guarantee will also become null and void in this event.

Important components



- | | |
|---------------------------|----------------------|
| 1. electrical cable | 7. carbon lamp(s) |
| 2. hanging chain | 8. grille |
| 3. hanging eye for heater | 9. control box |
| 4. decorative cover | 10. indicator lights |
| 5. protective cover | 11. pull-cord |
| 6. reflective screen | |

Installation



1: standard attachment chain (50 cm)

2: extra attachment chain (30 cm) with 2 karabiner hooks

The party-tent heater must be hung so that there is 40 cm of free space between the decorative cover and any ceiling, tent canvas etc.

Additionally, at least 50 cm of space must be left at the sides, between the device and any side walls, tent canvas and other objects. There must also be at least 1.80 m between the ground and the underside of the control box. The party-tent heater can never be hung on a hook in the wall as it could hang at a slant!

There are two methods of hanging:

1. On the ceiling
2. On a frame (e.g. a tent frame)

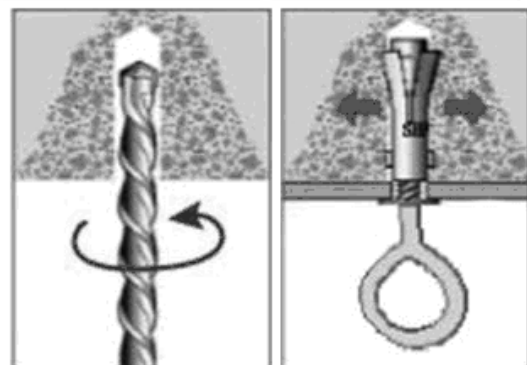
1. Hanging on the ceiling

The party-tent heater must be hung on a **concrete** ceiling. Never hang it on a ceiling made of wood, plaster or any other material! The attachment materials and fire safety measures are not suitable for this type of installation.

- Seek a location in the ceiling that fulfils all of the requirements;
- Drill a sufficiently deep hole with a diameter of 8 mm;
- Knock the key-bolt with hanging eye into the hole; secure it by turning clockwise and check that the hanging eye is screwed into the key-bolt properly or that the bolt and eye is firmly attached.

Ensure that the attachment kit can bear the weight of at least 10 kg.

- Hang the party-tent heater on the hanging eye with the karabiner hook so that the party-tent heater is 40 cm from the ceiling.



- Check that the karabiner hook is correctly closed.

2. Hanging on a frame (e.g. a tent frame)

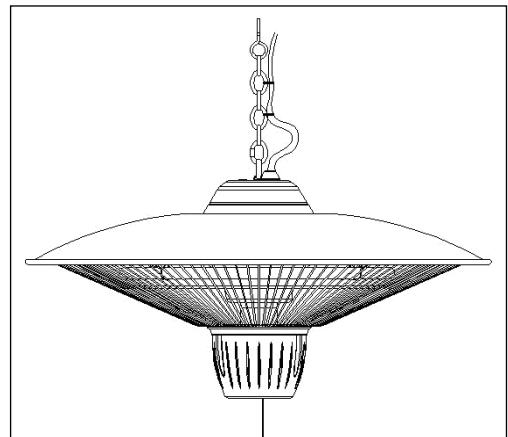
Make sure that the party-tent heater can hang freely from the attachment point you have selected and that it is sufficiently sturdy to bear the weight of the heater. Secure it properly so that it cannot sag, slide or move in any other way.

- Seek a location in the frame that fulfils all of the requirements;
- Use the extra attachment chain with a karabiner hook at each end to secure effectively:
 - Hook the security chain to the ring on the hanging chain that is attached to the party-tent heater, using the karabiner hook;
 - Wind the security chain around the frame once or twice;
 - Then attach the second karabiner hook also to the ring at the hanging chain; this will ensure that the party-tent heater remains 40 cm from the frame.
- Check that the karabiner hook is closed properly and that the party-tent heater is securely attached. It should not slide, sag or move at all!

Take care! The party-tent heater's upper decorative cover must be positioned at least 40 cm from the tent canvas, cover or any other item!

The following applies to both methods

- Run the electrical cable along the hanging chain and secure at multiple points with a tie-wrap. The first tie-wrap must be secured to the third link as the first few links become hot. Make sure that the cable is tight along the chain but do not hang the device on the cable! Run the electrical cable from the (hot) party-tent heater to a socket.
- Your party-tent heater is now ready for use.



Operating

- Insert the plug into the socket. Check beforehand whether this socket meets the requirements indicated on the party-tent heater's specification plate, i.e. 220-240V / 50Hz.

Partytent-heater 1502

- Pull on the pull-cord once. The lamp will come on and the indicator light will come on. The partytent-heater will emit 750W of heat.
- After pulling on the cord again the heater will emit 1500W of heat.
- Pulling on the pull-cord again will switch the party-tent heater off. These settings will be repeated if you continue to pull the cord.

Partytent-heater 2100

- Pull on the pull-cord once. The smaller, lower lamp will go on and the corresponding indicator light will come on. The party-tent heater will emit 900W of heat.
- Pulling on the cord again will switch on the larger, higher lamp (1200W). The corresponding indicator light will come on.
- Pulling on the pull-cord for a third time will switch on both lamps. Both indicator lights will now come on and the heater will emit 2100W of heat.
- Pulling on the pull-cord for a fourth time will switch the party-tent heater off. The lights will go out.
- These four settings will be repeated if you continue to pull the cord.

The following applies to both types

- The party-tent heater is not equipped with a thermostat and will continue to emit heat for as long as it is switched on. Never leave a functioning party-tent heater unsupervised!
- Remove the plug from the socket once the lights have gone off if you wish to turn the device off.

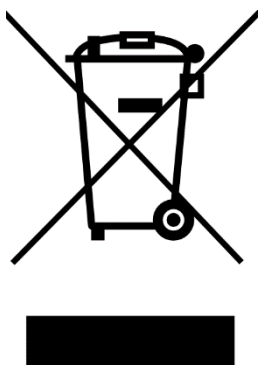
Maintenance and cleaning

Switch the device off, remove the plug from the socket and leave to cool before performing maintenance or cleaning.

Clean the exterior of the party-tent heater with a soft, damp cloth and, if necessary, a little cleaning agent. Never use aggressive or abrasive products and ensure that water never penetrates the device itself!

You will not usually need to clean the reflective screen or the carbon lamps. If necessary, you could use a vacuum cleaner to suck dirt through the grille. If this is inadequate, engage a professional. Never open up the device yourself!

Removal



In the EU this symbol indicates that this product may not be disposed of as ordinary household waste. Old equipment contains valuable materials, suitable for recycling. These materials should be made suitable for reuse in order to prevent any adverse effects to health and the environment caused by unregulated waste collection. Therefore, please make sure that you bring old equipment to a designated collection point. Alternatively, contact the original supplier, who can make sure that as many of the components as possible can be recycled.

CE-statement

See page 67.

Tak

Tak fordi du valgte en EUROM-enhed. Du har lavet et godt valg! Vi håber, at det vil fungere til din fulde tilfredshed.

For at få det bedste ud af din enhed er det vigtigt, at du læser denne vejledning omhyggeligt og i sin helhed, før du bruger den og forstår den også. Vær særlig opmærksom på sikkerhedsforskrifterne; som er opført for at beskytte dig og dit miljø!

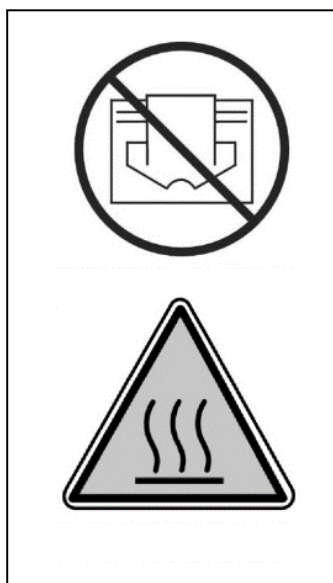
Gem derefter betjeningsvejledningen til fremtidig reference. Hold også emballagen: Det er den bedste beskyttelse for din enhed i løbet af lavsæsonen. Og hvis du nogensinde overfører enheden til en anden, skal du bruge brugervejledningen og emballagen.

Vi ønsker dig en masse fornøjelse med Partytent heater 1502 eller 2100!

Eurom
Kokosstraat 20
8281 JC Genemuiden (NL)
info@eurom.nl
www.eurom.nl

Denne vejledning er udarbejdet med største omhu. Ikke desto mindre forbeholder vi os ret til at optimere denne manual til enhver tid og justere det teknisk. De anvendte billeder kan variere.

Symbol erklæring



For at forhindre overophedning: Dæk ikke enheden!

Pas på: varm overflade!

Tekniske specifikationer

Partytent-heater	1502	2100
Varmeelementer	Kulstof	Kulstof
Antal elementer	1	2
Opvarmningskapacitet	750-1500 Watt	900-1200-2100 W
Maks. Forbrug	1500 Watt	2100 Watt
Spænding	220-240V / 50Hz	220-240V / 50Hz
Beskyttelsesniveau	IPX4	IPX4
Betjening	Manuel	Manuel
Mål	45 x 45 x 22 cm	55 x 55 x 35 cm
Vægt	2 kg.	3 kg.

Vigtigt!

Installationen af din Partytent-heater bør fuldt ud overholde alle lokale vedtægter, krav og regler for elektricitet. Hvis du ikke kender dem fuldt ud, lad da en certificeret elektriker kontrollere installationen.

Dette apparat bør tilsluttes en velfungerende, ubeskadiget 220-240V/50Hz/enkelt-fase- stikkontakt med jordforbindelse. Installationen bør være udstyret med et 30 mA fejlstrømsrelæ.

Det er vigtigt at stikket altid er nemt at komme til, når apparatet er sluttet til strømforsyningen.

Læs denne instruktionsbog omhyggeligt og følg anvisningerne.

Kontroller altid, før du tilslutter apparatet, om:

- Strømstyrken, som du vil tilslutte, svarer til den, som angives på mærkepladen.
- At stikkontakten og stikket passer sammen.
- At stikkontakten er jordforbundet.
- At apparatet er hængt solidt op, i den rigtige højde og med tilstrækkeligt frirum omkring sig (se andetsteds i denne bog).
- Strømkablet omgående ledes væk fra varmeren, så det ikke kan blive varmt.

Sikkerhedsadvarsler

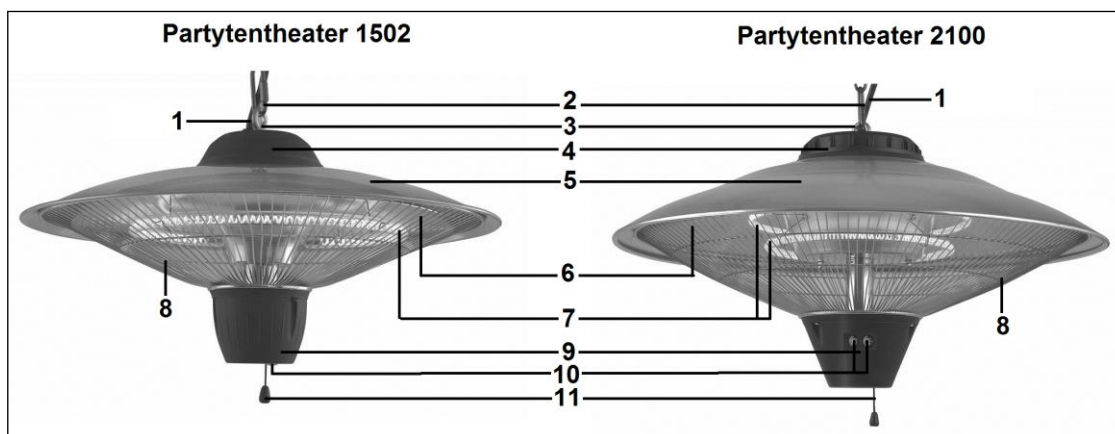
- Partytent-heateren bør udelukkende anvendes på den måde og til det formål, som den er designet til: Ophængt at opvarme festtelte, verandaer og lignende overdækkede udendørs arealer. Undlad derfor at bruge den til andre formål - som fx tørring af tøj eller andre tekstiler, eller andre materialer/produkter/mennesker eller dyr. Partytent-heateren er ikke tiltænkt kommerciel brug og bør ikke bruges på byggepladser eller i bure, stalle osv.
- Kulstofvarmelamperne er yderst skrøbelige, og skal derfor håndteres forsigtigt. Undgå stød, fald osv.
- Partytent-heateren skal installeres i henhold til instruktionerne i denne bog.

- Partytent-heateren spreder en yderst intens varme. Undlad derfor at udsætte mennesker (i særdeleshed ikke ældre mennesker eller små børn) for direkte stråling. Dette gælder også for dyr.
- Partytent-heateren må aldrig installeres eller bruges i nærheden af brændbare genstande. Vær i denne forbindelse især opmærksom på gardiner, møbler, teldug osv. Apparatet bør ikke hænge for tæt på en stikkontakt, og heller ikke i fugtige omgivelser - som fx vaskerum eller svømmehaller.
- Undlad brug af varmeren i rum hvor, der også opbevares let brændbare eller eksplosive materialer.
- For at reducere risikoen for elektrisk stød eller brand må Partytent-heateren ikke bruges med en timer eller andetudstyr, der automatisk kan slå apparatet til eller fra. Under brug bør der altid holdes opsyn.
- **Overdæk aldrig Partytent-heateren!** Hæng aldrig noget over apparatet!
- Sørg for at strømkablet uden bugter ledes direkte opad og væk fra apparatet. Hvis kablet rører varme dele af varmeren eller på anden måde befinder sig i apparatets stråleområde, kan det smelte. Det resulterer i alvorlig brandfare!
- Før ikke strømkablet bag planker eller under tekstiler og sørg for, at det ikke kan trædes på eller snubles over. Undgå at kablet kommer i kontakt med varme dele af varmeren.
- Undlad brug af forlænger-kabel. Hvis det er uundgåeligt, vælg da så kort et kabel som muligt med mindst 10A og 2000W (type 1502) eller 16A og 2500W (type 2100). Hvis et kabelhjul benyttes, bør kablet rulles helt ud.
- Sørg for at Partytent-heateren aldrig kan falde i vand eller nogen anden væske - og sænk den heller aldrig heri. Rør aldrig ved apparatet med våde hænder.
- Stik aldrig fingre, blyanter eller noget andet objekt ind igennem gitteret på varmeren. Gitteret bliver virkelig varmt under brug, og må kun berøres når varmeren er kølet helt af.
- Sørg for omhyggeligt tilsyn når apparatet anvendes i nærheden af børn, handicappede eller husdyr. Tillad ikke at børn leger med apparatet. Dette apparat er ikke egnet til betjening af børn eller personer med fysiske handicap, sensoriske eller mentale handicap, eller af personer uden kendskab til eller erfaring med apparatet. Sørg for at alle, som betjener apparatet, har læst instruktionsbogen. Hold børn og dyr på afstand af apparatet.

- Slå Partytent-heateren fra og træk stikket ud af stikkontakten
 - efter hver brug eller når du forlader stedet
 - før du flytter det eller gør det rent
 - ved fejl eller vedligeholdelse
- Brug ikke apparatet hvis det er faldet på jorden, viser tegn på beskadigelse eller ikke fungerer optimalt. Slå omgående apparatet fra, tag stikket ud af stikkontakten og henvend dem da til din leverandør eller en certificeret elektriker. Anmod ved reparation om originale reservedele. Afmonter eller reparer aldrig selv apparatet, strømkablet eller stikket. Apparatet indholder ingen dele, som du selv kan skifte ud eller reparere.

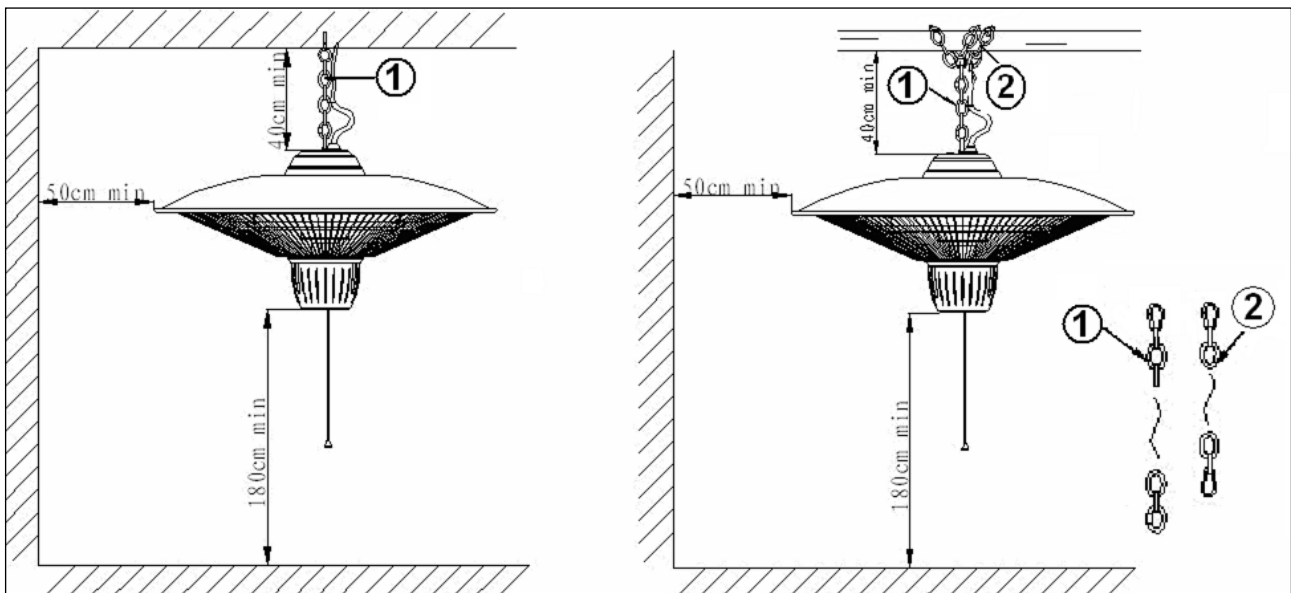
Hvis apparatet behandles anderledes end beskrevet i instruktionsbogen, bortfalder både garantien og leverandørens, importørens og fabrikantens ansvar.

Vigtigste komponenter



- | | |
|------------------------|-----------------------|
| 1. strømkabel | 7. kulstoflampe(r) |
| 2. kæde til ophængning | 8. gitter |
| 3. øje til ophængning | 9. kontrolboks |
| 4. pynteskærm | 10. indikationslamper |
| 5. afdækningsskærm | 11. træk-kabel |
| 6. reflektorskærm | |

Installation



1: Standardkæde til ophængning (50 cm)

2: Ekstra kæde til ophængning (30 cm) med 2 karabinhager

Partytent-heateren skal hænges sådan op, at der mindst er 40 cm frirum over pynteskærmen og loftet, teltseglet el.lign.

Der bør ydermere mindst være 50 cm frirum til vægge, teldug og alle andre genstande, og undersiden af kontrolboksen, skal hænge mindst 1,80 meter over jorden. Partytent-heateren må dermed ikke hænges op på en krog på en mur, som han i så fald ville hænge skævt imod!

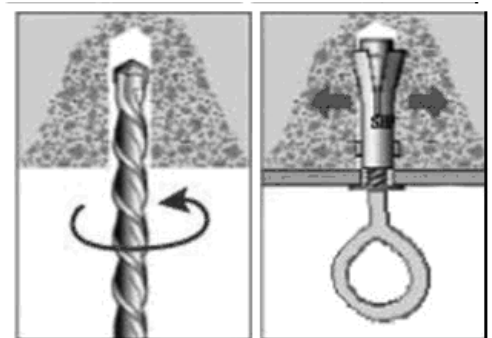
Der er to mulige ophængningsmetoder:

1. I et loft
2. I et stilads (på et telt el.lign.)

1. Ophængning i et loft

Partytent-heateren bør hænges op i et **betonloft**. Hæng ikke apparatet op i et loft af træ, gips eller noget andet materiale! Det er hverken ophængningsmaterialerne eller forholdsreglerne for brandsikring ikke beregnede til.

- Find et punkt i loftet, som lever op til samtlige krav;
- Bor et hul med en diameter på 8mm og passende dybde;
- Slå den medfølgende forankring med øje til ophængning ind i hullet, lås den ved at dreje øjet med uret og kontroller om det sidder solidt fast is forankringen, og at hele forankringen med øjet sidder solidt fast og kan bære mindst 10 kg.
- Hæng Partytent-heateren med karabinhagen i øjet til ophængning, så Partytent-heateren hænger 40 cm fra loftet.
- Kontroller om karabinhagen lukker ordentligt.



2. I et stilads (på et telt el.lign.)

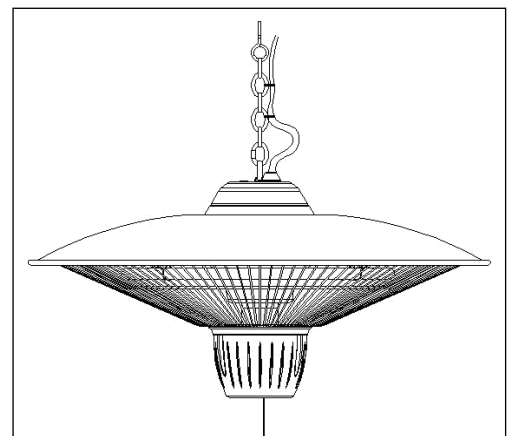
Find et sted at hænge Partytent-heateren, hvor den kan hænge frit, og som er solidt nok til at bære varmeren uden problemer. Hæng varmeren sådan op, at den hverken kan falde ned, glide, støde imod eller på anden måde komme i bevægelse.

- Find et punkt på stativet, som lever op til samtlige krav;
- Brug den ekstra kæde til ophængning med en karabinhage i hver ende til ophængningen:
 - Sæt ekstrakæden fast til ringen af kæden til ophængning, som sidder fast på Partytent-heateren, med den ene karabinhage;
 - Vikl fæstningskæden et par gange om stativet;
 - Sæt derefter også den anden karabinhage til ringen i ophængningskæden; dermed forbliver Partytent-heateren 40 cm. fra stativet.
- Kontroller om karabinhagerne lukker ordentligt og om Partytent-heateren hænger solidt. Den må ikke kunne støde imod, falde ned, glide el.lign.!

Pas på! Den øverste pynteskærm på Partytent-heateren skal hænge mindst 40 cm fra teltdug eller enhver anden form for loft!

For begge muligheder gælder følgende:

- Før strømkablet langs kæden til ophængning og sæt det fast flere steder med en strip. Den første strip bør fæstnes til det tredje led - da de første led vil blive varme. Vær opmærksom på, at kablet løber stramt langs kæden, men ikke så stramt at lampen hænger i strømkablet! Før efterfølgende strømkablet væk fra den Partytent-heater (som vil blive varm) til en stikkontakt.
- Din Partytent-heater er nu klar til brug.



Igangsættelse

- Sæt stikket i stikkontakten. Kontroller på forhånd om denne stikkontakt angiver samme værdi, som Partytent-heaterens mærkeplade: 220-240V / 50Hz.

Partytent-heater 1502

- Træk én gang i træksnoren. Lampen tændes, og den indikationslampe tændes og Partytent-heateren spreder nu 750W varme.
- Ved igen at trække i træksnoren Partytent-heater skifter til 1500W varme.
- Ved igen at trække i træksnoren slukkes Partytent-heateren. Disse indstillinger gentages, hvis du bliver ved med at trække i snoren.

Partytent-heater 2100

- Træk en gang i træksnoren. De mindre nederste lamper tændes, og den tilsvarende indikationslampe tændes. Partytent-heateren spreder nu 900 w varme.

- Ved igen at trække i træksnoren tændes den større øverste lampe (1200 w). Den tilsvarende indikationslampe tændes.
- Ved for tredje gang at trække i træksnoren tændes begge lamper, som nu brænder og varmeren spreder 2100 w varme.
- Ved for fjerde gang at trække i træksnoren, slukkes Partytent-heateren. Lamperne går ud.
- Disse fire indstillinger gentages hvis du bliver ved med at trække i snoren.

For begge typer gælder

- Partytent-heateren er ikke udstyret med en termostat, og vil konstant sprede varme, så længe den er tændt. Hold til enhver tid opsyn med en tændt Partytent-heater!
- Hvis du ønsker at afslutte brugen af lampen/lamperne og har slukket for den/dem, træk da efterfølgende stikket ud af stikkontakten.

Vedligeholdelse og rengøring

Sluk først for apparatet ved vedligeholdelse / rengøring, fjern efterfølgende stikket fra stikkontakten og giv apparatet tid til at køle af.

Gør ydersiden af Partytent-heateren rent med en blød, evt. fugtig klud, og hvis det er nødvendigt et mildt rengøringsmiddel. Anvend aldrig aggressive eller slibende midler og sørg for at, der aldrig trænger vand ind i apparatet!

Rengøring af reflektorskærmen eller kulstofskærmen er ved normal brug ikke nødvendig. Du kunne evt. forsøge at suge skidt ud igennem gitteret med en støvsuger. Hvis dette ikke er nok, tag da kontakt til din serviceudbyder. Åben aldrig selv apparatet!

Fjernelse



Inden for EU betyder dette symbol, at dette produkt ikke må smides væk med det normale husholdningsaffald. Kasserede apparater indeholder værdifulde materialer, der kan og bør genbruges for ikke at skade miljø og helbred med ureguleret affaldsindsamling. Bring derfor kasseret apparatur til dertil angivne indsamlingssteder eller henvend dig til den virksomhed, hvor du købte apparatet. De kan sørge for, at så mange dele af apparatet som muligt genbruges.

CE-erklæring

Se side 67.

CE-declaration

Eurom
Kokosstraat 20
8281 JC Genemuiden
The Netherlands

declares the following device in sole responsibility:

Product: Partytent heater
Brand name: EUROM
Model: 1502 / 2100
Item number: 336122 / 336108

Complies with the following harmonization rules:

Low Voltage Directive: LVD 2014/35/EU
Electromagnetic compatibility Directive: EMC 2014/30/EU
Restriction of Hazardous Substances RoHS Directive: 2011/65/EU&(EU)2015/863

Applied harmonized standards:

EN 60335-2-30:2009+A11:2012
EN 60335-1:2012+A11:2014+A13:2017+A1:2019+A14:2019
EN 62233:2008
EN 55014-1:2017
EN 55014-2:2015
EN IEC 61000-3-2:2019
EN 61000-3-3:2013+A1:2019

Genemuiden, 04-06-2020
W.J. Bakker, alg. Dir.

A handwritten signature in black ink, consisting of several horizontal strokes and a vertical line, with the name 'Bakker.' written below it.

EUROM

Kokosstraat 20
8281 JC Genemuiden
The Netherlands
info@eurom.nl
www.eurom.nl

040620